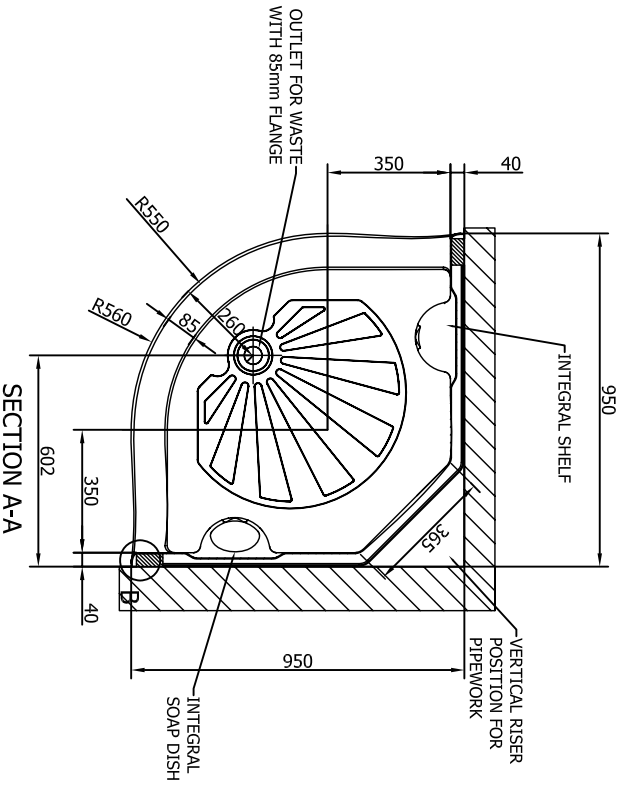
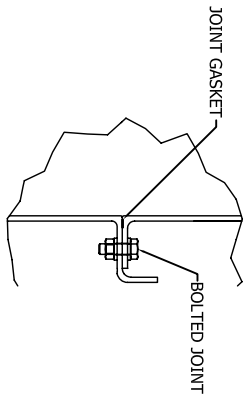


SECTION THROUGH THRESHOLD AND ACCESS PANEL

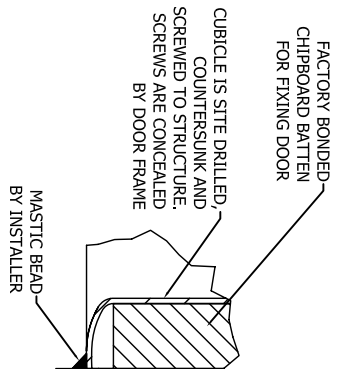


SECTION A-A



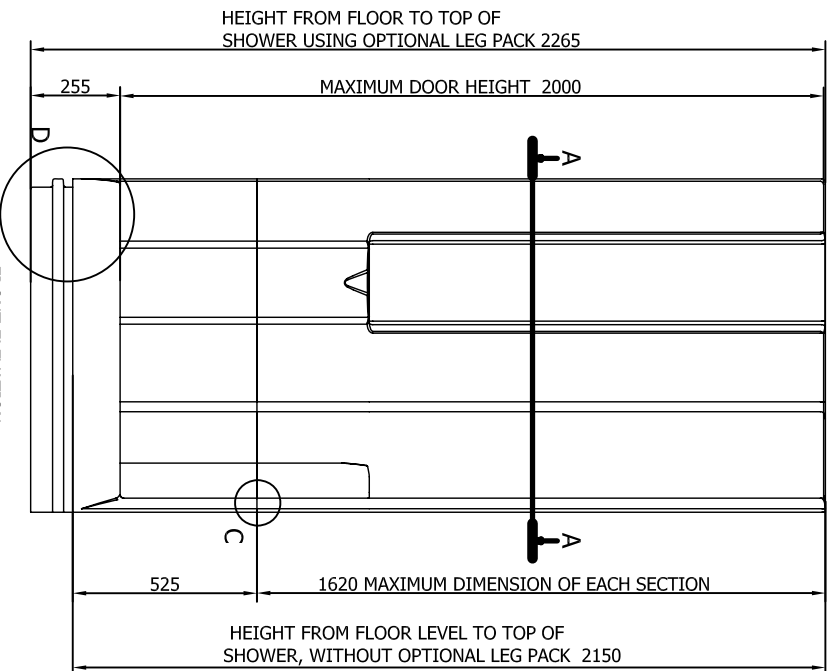
DETAIL C

SECTION THROUGH JOINT



DETAIL B

SECTION THROUGH DOOR FRAME



FRONT ELEVATION

INTERNAL DIMENSIONS

Height 2085mm (6'10")

OVERALL EXTERNAL DIMENSIONS

Width 950mm (3'1½")

Depth + 950mm (3'1½")

Height + with legs 2285mm (7'6") without legs 2150mm (7'1")

Approximate Weight 50Kg

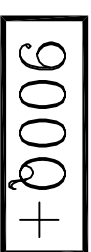
†An additional 30mm is required for assembly

All dimensions shown are approximate and may vary slightly due to the manufacturing process

Allow normal building tolerances

Site conditions may vary. This drawing shows typical fixing details.

Advanced Showers has a programme of continuous development and research and reserves the right to change specifications and details without notice



UK patent No. 2281033  
European Patent No. 0689345  
This drawing is copyright to Advanced Showers International Ltd. And must not be copied or reproduced without prior permission.

ADVANCED SHOWERS INTERNATIONAL LTD.  
20 GARDEN PARK  
OLD FORTSMOUTH ROAD  
GUILDFORD, SURREY, GU3 1LU

Email: sales@advanced-showers.com  
Web Site: www.advanced-showers.com  
Telephone: 01483 532020  
Facsimile: 01483 532080

WOULDED TWO PART QUADRANT CUBICLE WITH OPEN TOP SUITABLE FOR A CURTAIN RAIL OR CURVED DOOR AND SIDE SCREENS  
TECHNICAL DRAWING

SCALE NOT TO SCALE